

WINDA
SLIDING SYSTEM

OUR LEGACY



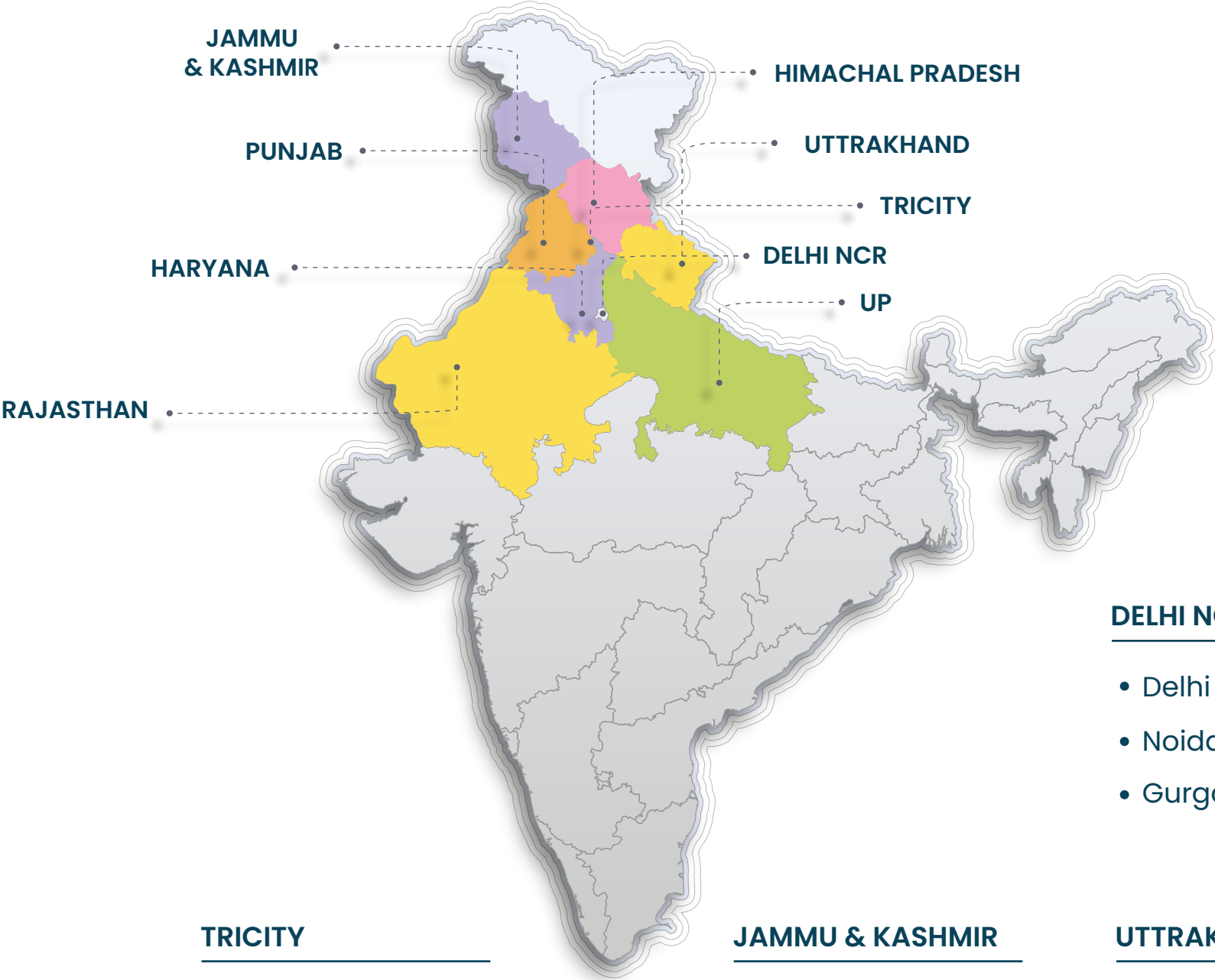
Established in 2009, Winda Systems Is a Leading Brand of the Damsun Group, Dedicatedly Delivering Innovative Fenestration Solutions in the Upvc and Aluminium Window Systems Industry.

Over the past Decade, Winda Systems Has Become a Trusted Name among Leading Architects, Builders, Dealers, Hoteliers, and High-net-worth Individuals Across **Upper Northern India**. With a State-of-the-art Manufacturing Facilities in Ludhiana, the Brand Has Consistently Set Benchmarks in Precision Engineering and Design Excellence.

Winda Systems Offers a Wide Range of Window Solutions That Meet International Quality Standards. These Include Casement, Sliding, Fixed, Lift & Slide, Tilt & Slide, Combination, Bay, and Glass-to-glass Windows, as Well as Internal Partitions, All Supported by a Robust **10-year On-site Warranty**.

Today, Winda Systems Stands as a Premium and Preferred Choice in the Indian Fenestration Landscape, Driven by Its Commitment to Performance, Design, and Durability.

CITIES WE SERVE



HARYANA

- Karnal
- Panipat
- Ambala
- Hisar
- Sonipat

PUNJAB

- Ludhiana
- Jalandhar
- Amritsar
- Ferozpur
- Fazilka
- Mohali
- Pathankot
- Barnala
- Bathinda
- Khanna
- Mukerian
- Patiala

HIMACHAL PRADESH

- Shimla
- Solan
- Kasauli

DELHI NCR

- Delhi
- Noida
- Gurgaon

TRICITY

- Chandigarh
- Mohali
- Panchkula

JAMMU & KASHMIR

- Srinagar
- Sonmarg
- Jammu

UTTRAKHAND

- Dehradun
- Haridwar
- Rishikesh

RAJASTHAN

- Jaipur
- Yamuna Nagar
- Udaipur

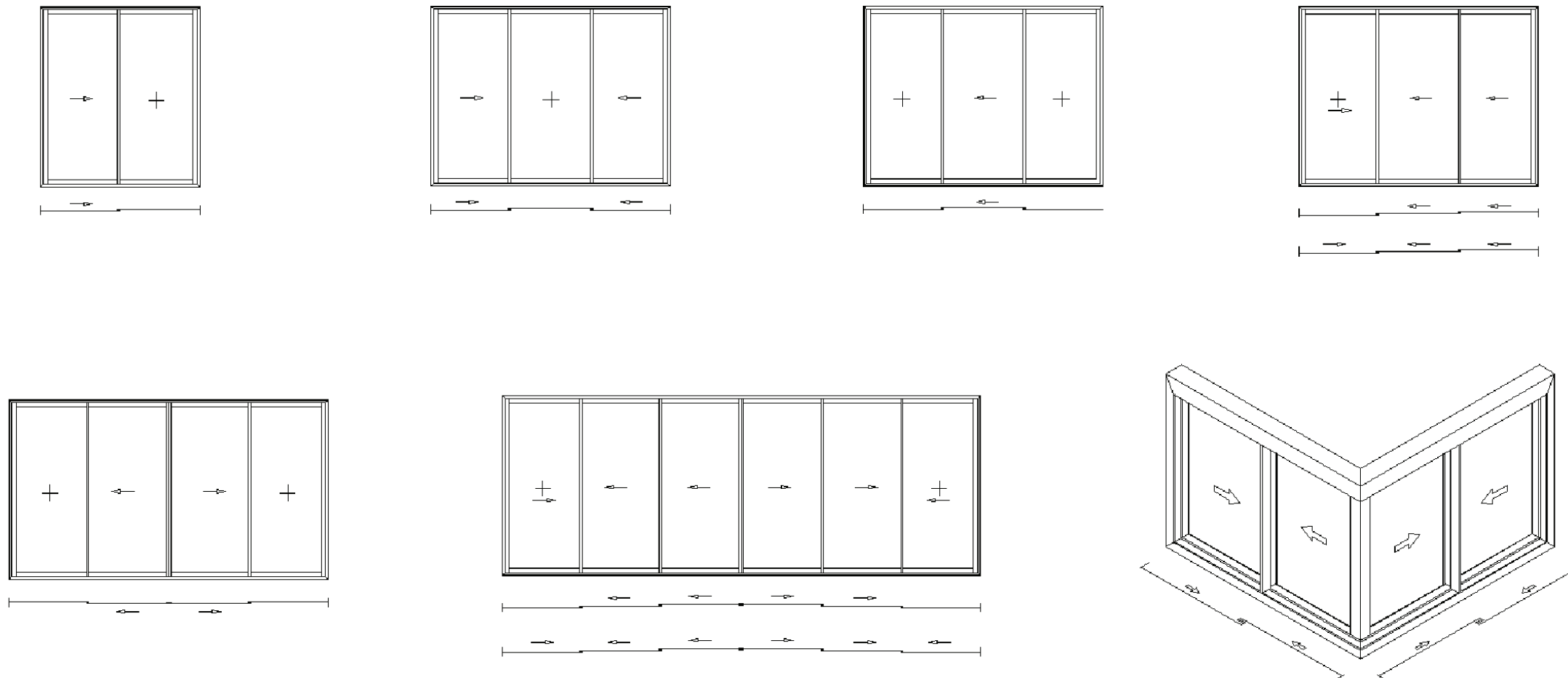
UP

- Lucknow
- Varanasi
- Agra

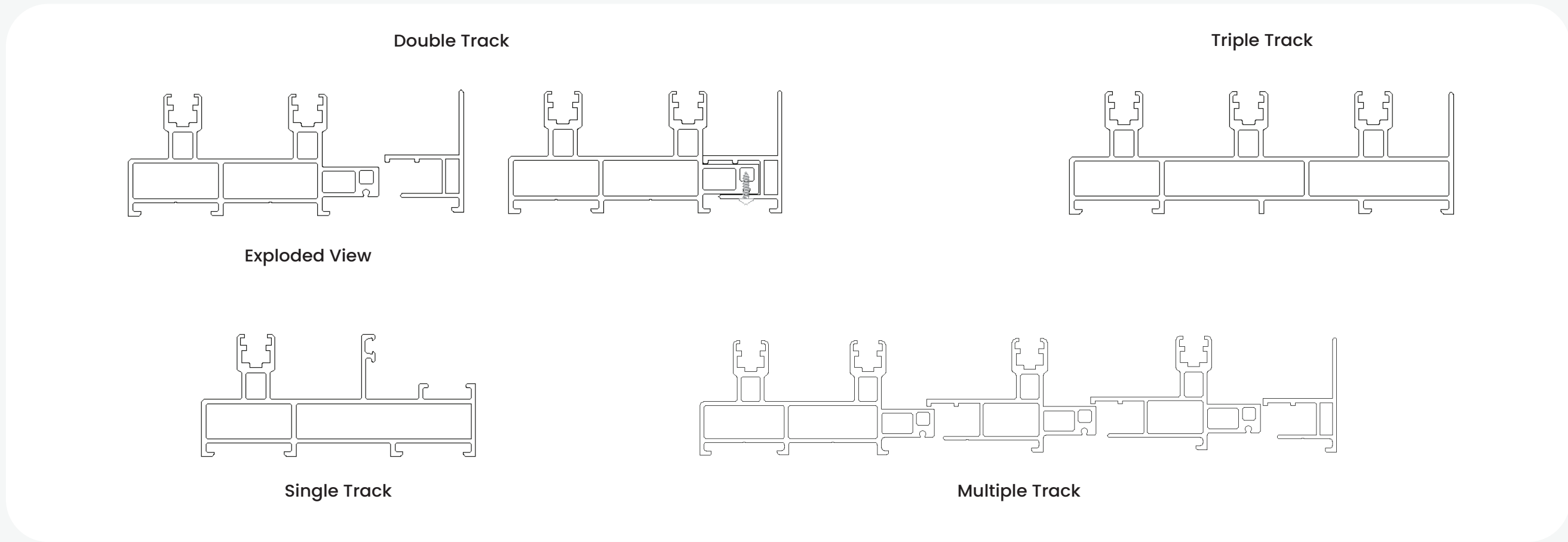
INTRODUCTION

Transform Your Spaces with **Winda Sliding System** — **WSS** is the Perfect Combination of Contemporary Style, Durability, and Functionality. Designed for Effortless Operation, These Windows Glide Smoothly on Precision-engineered Rollers, Offering Expansive Views and Abundant Natural Light. Ideal for Architects, Builders, Dealers, Hoteliers, and Homeowners, Our Sliding Windows Complement Both Modern and Traditional Designs.

Opening Overview



WSS – SECTION OVERVIEW



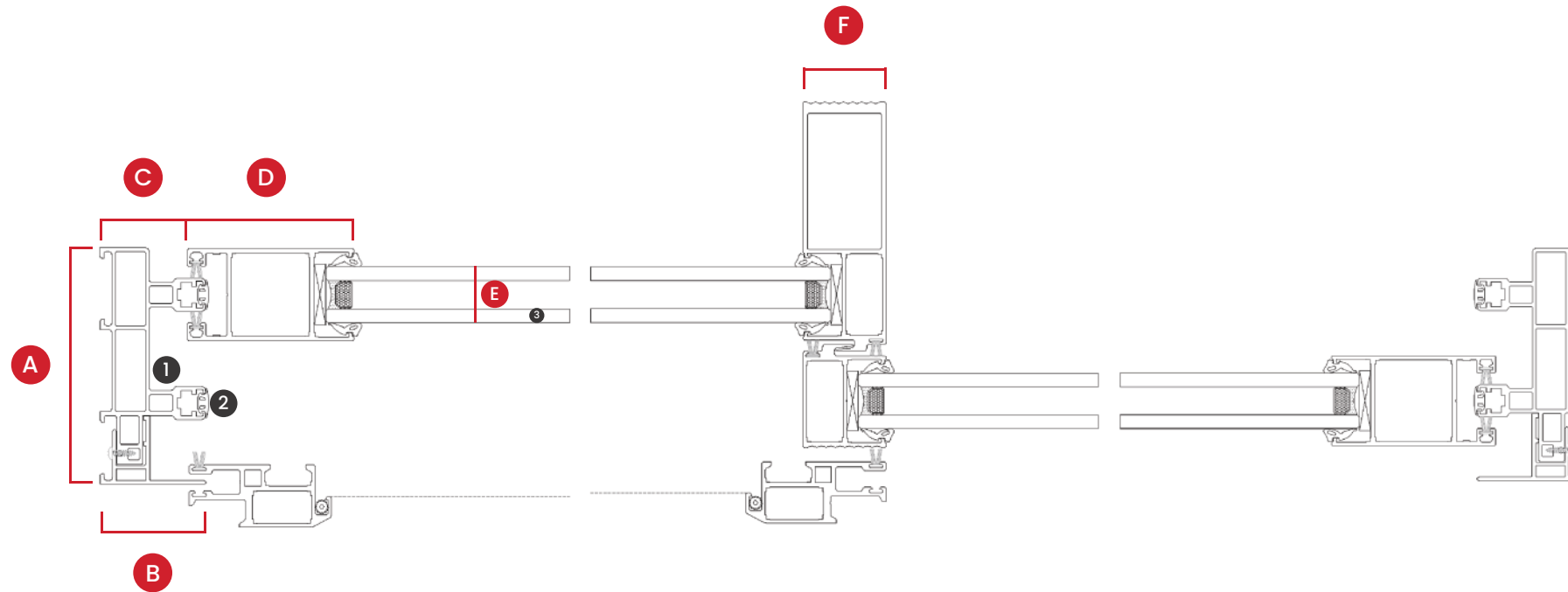
Dimensions Upto

Max. Height:	3500 mm
Max. Width:	2500 mm
Max. Vent Weight:	Upto 200 Kg
Single Glazing:	4 mm upto 23 mm
Double Glazing:	24 mm upto 26mm

Performance Upto

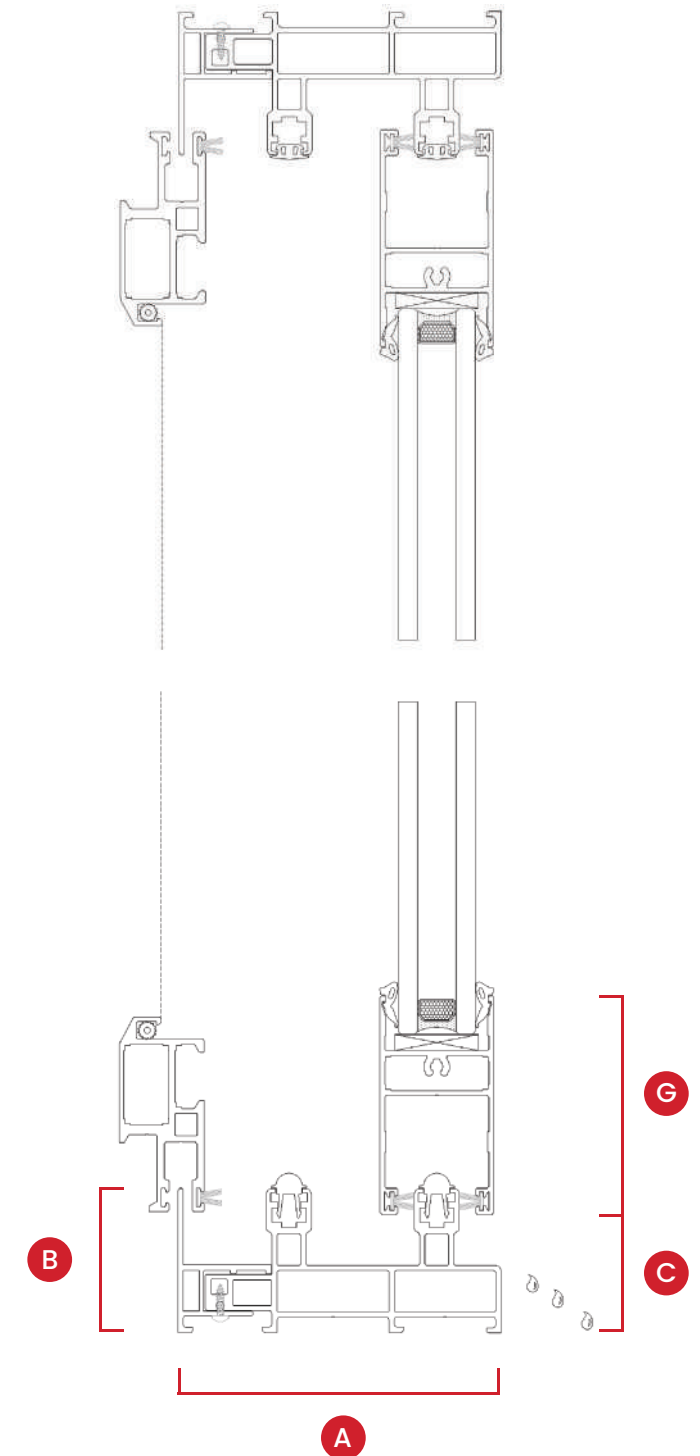
Sound Insulation:	34 dB
Air Permeability:	Class 4
Water Tightness:	Class 9A
Wind Load Resistance:	Class BE3000

WSS – FLY SCREEN ON LEG

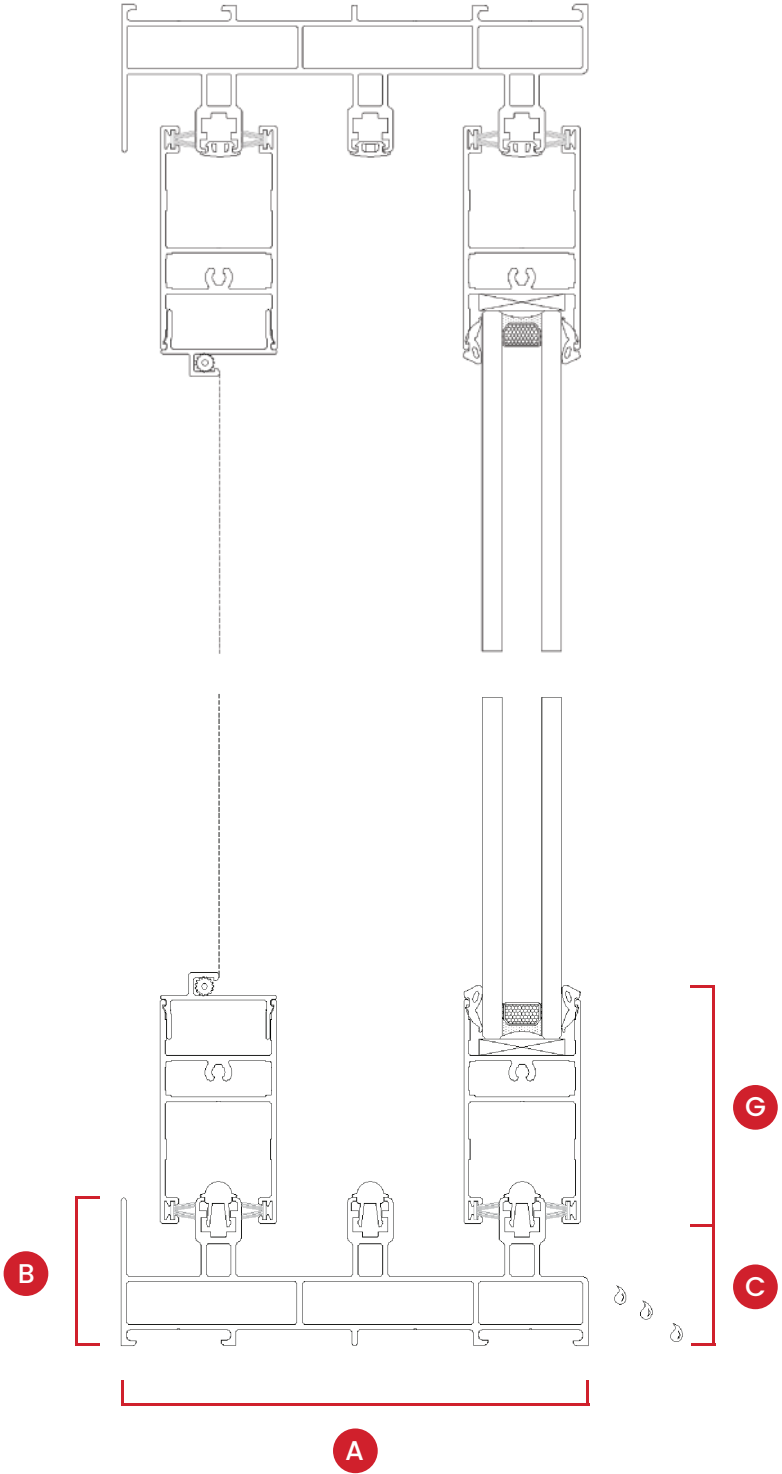
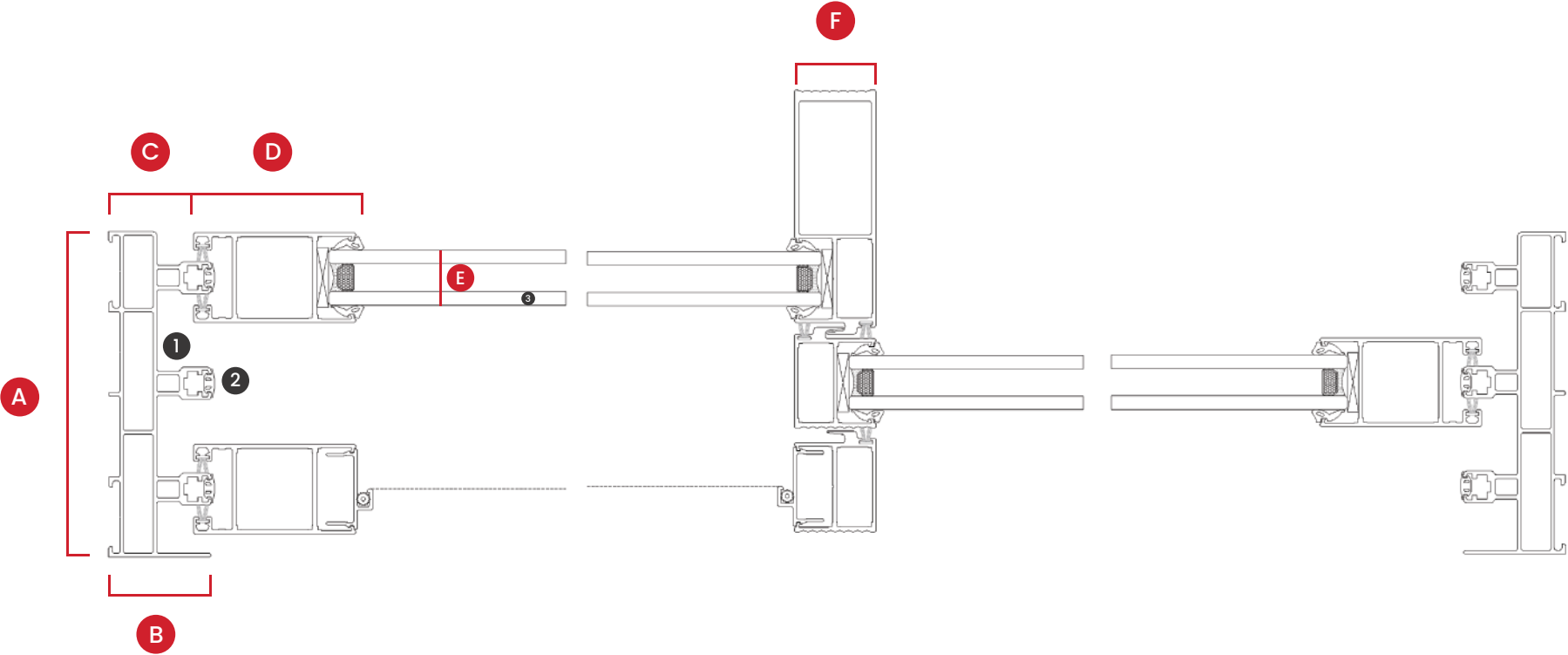


Dimensions

A	100.5 mm	1	2 TRACK
B	45 mm	2	EPDM GASKET
C	37 mm	3	GLASS
D	71 mm		
E	26 mm		
F	36 mm		
G	68 mm		



WSS – FLY SCREEN IN SHUTTER



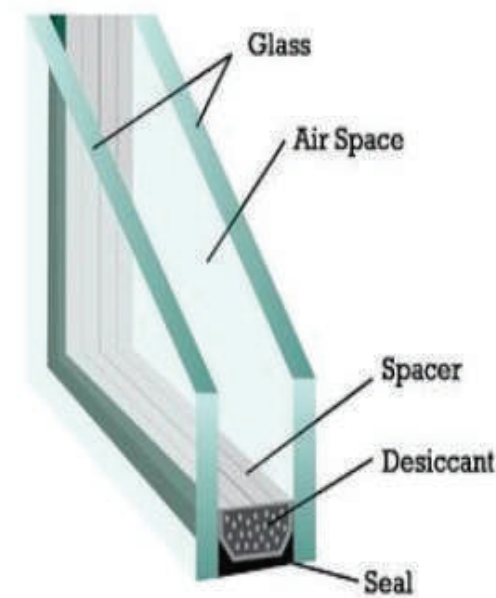
Dimensions

A	141.5 mm	1	3 TRACK
B	45 mm	2	EPDM GASKET
C	37 mm	3	GLASS
D	71 mm		
E	26 mm		
F	36 mm		
G	68 mm		

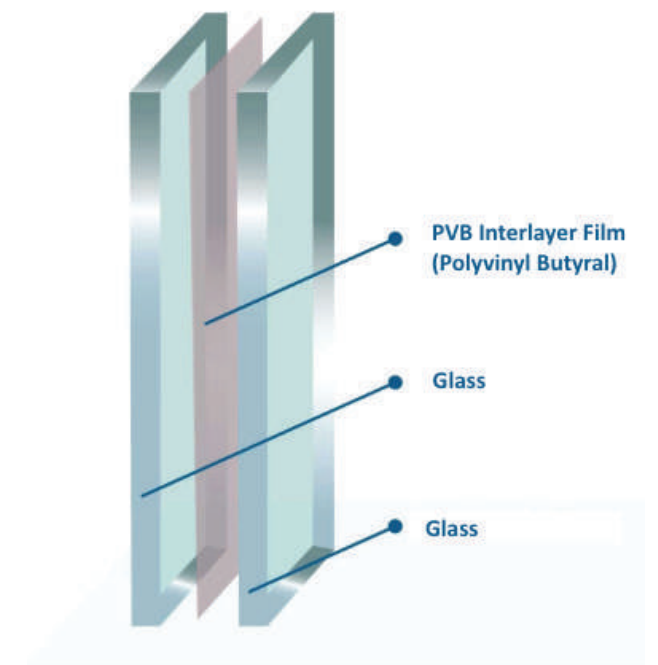
THE GLASS GUIDE

- **Annealed Glass**- It Is Raw Glass Used in Normal Houses. It Can Be Break Easily and Cut from Outside with Glass Cutter. It Is Not Considered as Safer Glass.
- **Toughened Glass**- Superior Strength Compared to Annealed Glass by 5 Times. It Cannot Cut with Glass Cutter. Available Thickness -5,6,8,10,12 mm.
- **Heat Strengthened Glass**- HS Glass Is Also Known as Semi Tempered Glass. It Is Twice Stronger as Annealed Glass of Same Size and Thickness.
- **Laminated /Security Glass** - Laminated Glass or Security Glass Combines Multiple Glass Layers with PVB Interlayers Using Heat & Pressure. It Blocks UV Rays, Reduces Noise, and Deters Break-ins.
- **Double Glass Unit (DGU)**- DGU Refers to Two or More Panes Of Glass Sealed Around an Edges with an Air Space Between To Form a Single Unit. DGU Insulating Glass Is the Most Effective Way to Reduce Air-to-Air Heat Transfer.

- **Frosted Glass**- Frosted Glass Is Often Chemically Treated & Sandblasting to Create Opaque. Helps in Maintaining Privacy.
- **Solar Control Glass** - Solar Control Glass Is a High-performance Glazing That Minimizes Solar Heat Entry While Allowing Natural Light. It's Commonly Used in Windows, Facades, and Skylights To Enhance Energy Efficiency and Indoor Comfort in Homes & Buildings.

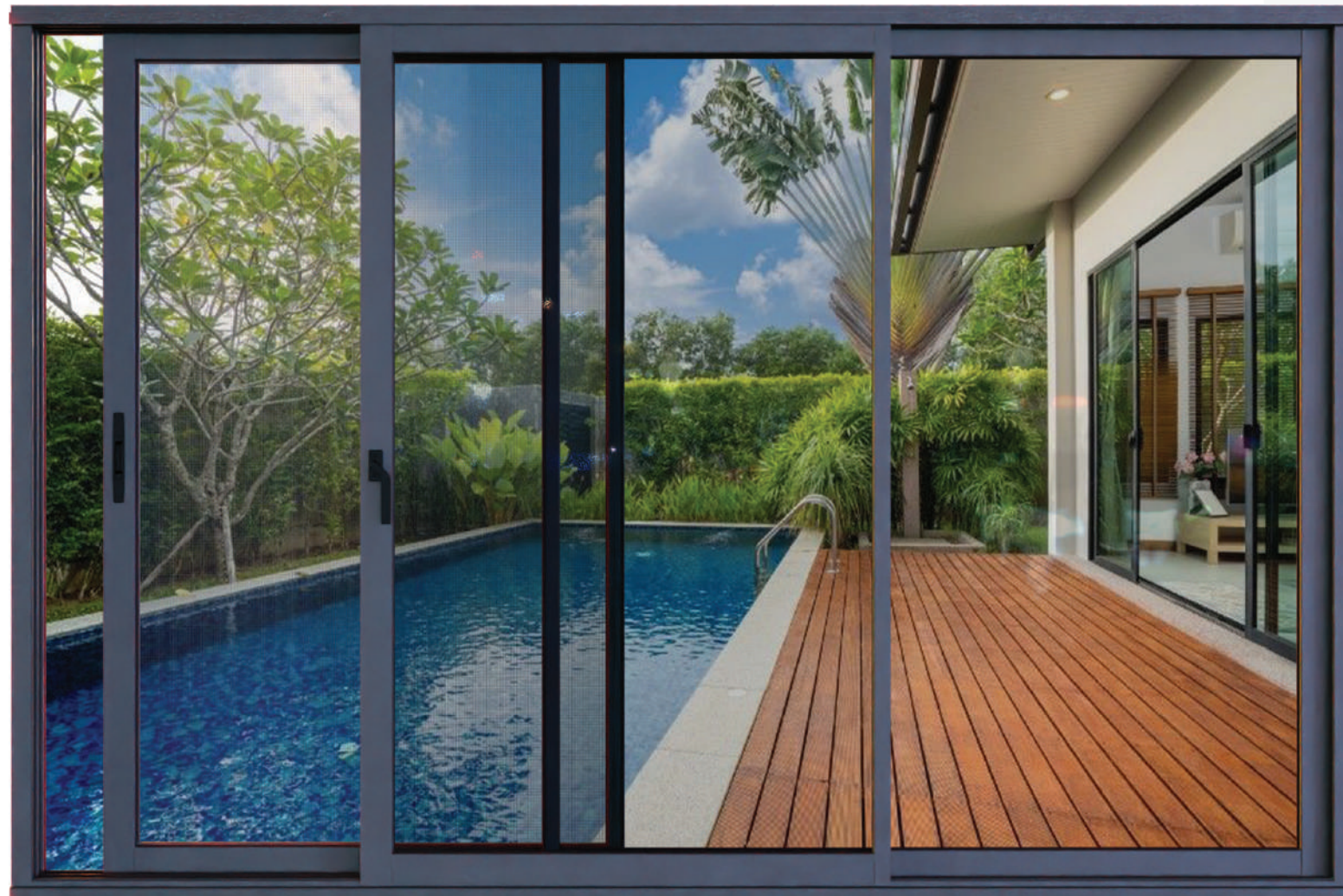


Double Glass Unit (DGU)



Laminated Glass

WSS – ADVANTAGES



- High Quality with Certified Performance.
- Integrated System.
- Low Maintenance.
- 90° Corner Sliding Option.
- Touch Lock with or Without Key.
- Lever Handles with SS Multipoint Locking.
- Wide Choice of Styles on the basis of Single, Double, Triple & Multiple Outer Frame.
- Single Source of Supply.
- WSS Fly Screen and Mesh Clip with Options for both Sliding on Internal Leg & on Track.
- High Structural Integrity with the use of Corner Cleats.

PROUDLY DELIVERED



Omaxe Royal Residency
Ludhiana

PROUDLY DELIVERED



Centra Greens
Ludhiana

PROUDLY DELIVERED



NIFT
Panchkula

PROUDLY DELIVERED



Umbera Greens
Sangowal, Ludhiana

PROUDLY DELIVERED



Royal Residency
Jalandhar

PROUDLY DELIVERED



Shivalik Heights
Kharar, Punjab

PROUDLY DELIVERED



Motiaz Royal Citi
Zirakpur

PROUDLY DELIVERED



Cambridge School
Jalandhar

PROUDLY DELIVERED




Delhi Heart Institute & Multispeciality Hospital
Bathinda

BRAND BUYERS



WINDA

PREMIUM WINDOW SYSTEMS

 0161-2400020 | +91 8872 050 715

 www.windasystems.com
